

NOTES:

- CURRENT RATING:
5.0A MAX.
- DIELECTRIC WITHSTAND VOLTAGE:
100VAC.
- TEMPERATURE RANGE:
-30 °C ~ 85 °C.
- CONTACT RESISTANCE:
40 MILLIONHM MAX.
- INSULATION RESISTANCE:
100 MEGOHMS MIN.
- INSERTION FORCE :
5N~20N.
- UNMATING FORCE:
8N~20N.
- DURABILITY:
10,000 CYCLES.
- WATERPROOF RATING: IPX7.
- ALL PRODUCTS COMPLY WITH RoHS ENVIRONMENTAL REQUIREMENTS.
- MARK "▲" AS THE FOCUS, FIRST ITEM INSPECTION.
- MARK "⊗" TO MEASURE DIMENSIONS FOR FAI.

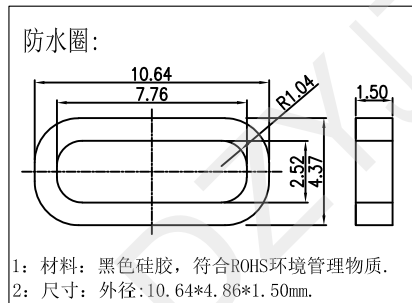
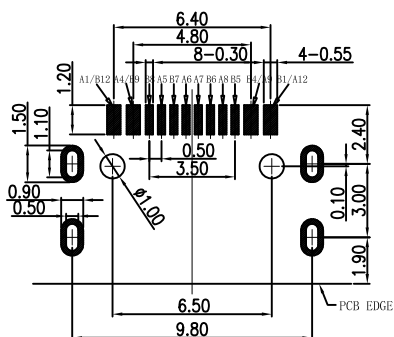
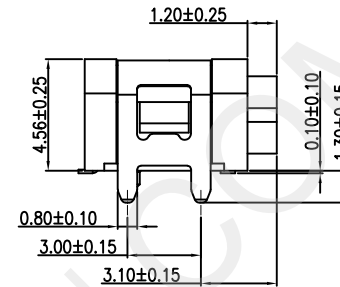
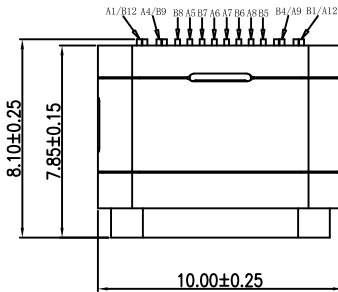
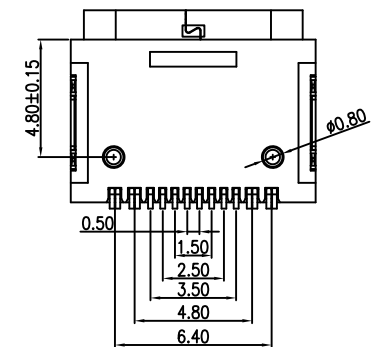
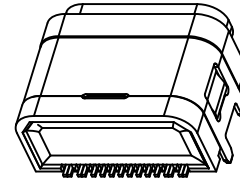
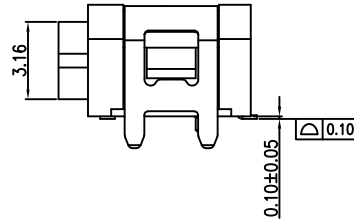
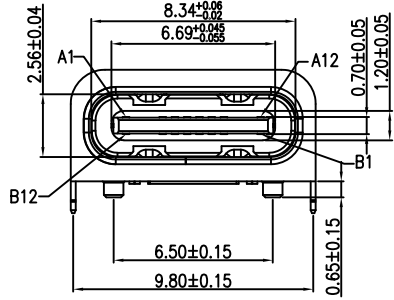


TABLE:

环氧树脂			
外壳	SUS304R-1/2H.T=0.20mm	Ni:30u*Min;	
内壳	SUS304R-1/2H.T=0.30mm	Ni:30u*Min;	
护套	PA9T(G.F30%)BLACK.	/	
MD半成品	中夹片	SUS301R-H.T=0.15mm	/
	上排MD	C2680R-H.T=0.15mm	Ni:30u*Min; Au:CONTACT AREA:1u", Solder AREA:MATTE-Tin.
	下排MD	C2680R-H.T=0.15mm	
	塑胶	LCP(G.F30%) BLACK.	/
PART NAME	MATERIALS	FINISH	

RECOMMEND P. C. B LAYOUT
TOLERANCE UNSPECIFIED ±0.05mm

A1	A2	A3	A4	A5	A6	A7	A8	A9	A10	A11	A12
GND			VBUS	CC1	D+	D-	SUB1	VBUS			GND
GND			VBUS	SUB2	D-	D+	CC1	VBUS			GND
B12	B11	B10	B9	B8	B7	B6	B5	B4	B3	B2	B1



深圳市华宇创精密电子有限公司

TOLERANCE: X.X ±0.30 X.XX ±0.25 X.XXX ±0.15 X.* ±2* X.X* ±0.5*	DRAWN BY : 陈一鸣	DATE : 2014-02-23	PART NAME: USB TYPE C 防水母座16P 板上SMT L=7.85 四脚DIP	
	CHECKED BY: 马跃	DATE : 2014-02-23	PART NO. HVC759-USBC16-785	MOLD NO.
UNIT: mm [inch] SCALE:1:1 SIZE: A4	APPROVED BY: 邱敏	DATE : 2014-02-23	DRAW NO: HVC-2606101115	SHEET NO. 1 OF 1